

HUNGARY

Phone:+361 293 4459

HungaroControl Pte. Ltd. Co.

AIP SUP: 004/2023

AFS:LHBPYNYN

Hungarian Air Navigation Services

Effective Date: 29-OCT-2023

Email:pubsdo@hungarocontrol.hu Aeronautical Information Service

End Date: 31-MAR-2024

URL:www.hungarocontrol.hu

H-1675 Budapest, POB 80

Publication Date: 21-SEP-2023

Debrecen International Airport (LHDC) Demolition works

1. GENERAL

The Demolition of disused paved surfaces at LHDC:

- Demolition of disused RWY 04L/22R, TWY C, TWY D;
- Demolition of other disused paved surfaces;
- Transportation of demolition debris.

2. PERIOD OF DEMOLITION WORKS

The demolition project starts in Q2 2023 and the completion is scheduled for the Q1 2024. The works are phased and the relevant information for each phase will be disseminated by AIP supplement and activated by NOTAM. The

- temporary suspension of closure restrictions; or
- other additional closure restrictions

may be published by NOTAM.

3. PHASE A

Commence and actual finish of the phase will be notified by NOTAM.

No movement areas are involved in this phase.

3.1 TRAFFIC INFORMATION AND RESTRICTIONS

No traffic restrictions are expected at phase A.

4. PHASE B

Commence and actual finish of the phase will be notified by NOTAM.

Involved areas: TWY A, TWY B, APRON.

4.1 TRAFFIC INFORMATION AND RESTRICTIONS

Restrictions on TWY A:

- TWY A is CLOSED to aircraft MON-SAT 0530-1800 (0430-1700);
- The usable TWY is TWY B.

5. PHASE C

Commence and actual finish of the phase will be notified by NOTAM.

Involved areas: RWY 04R/22L, TWY A.

5.1 TRAFFIC INFORMATION AND RESTRICTIONS

Restrictions on TWY A:

- TWY A is CLOSED to aircraft MON-SAT 0530-1800 (0430-1700);
- The usable TWY is TWY B.

Restrictions on RWY 04R/22L:

- RWY 04R is CLOSED to take-off of ICAO CODE C aircraft;
- RWY 04R/22L is CLOSED to aircraft MON-SAT 0530-1800 (0430-1700).

6. PHASE D

Commence and actual finish of the phase will be notified by NOTAM.

Involved areas: RWY 04R/22L, TWY A.

6.1 TRAFFIC INFORMATION AND RESTRICTIONS

Restrictions on TWY A:

- TWY A is CLOSED to aircraft MON-SAT 0530-1800 (0430-1700);
- The usable TWY is TWY B.

Restrictions on RWY 04R/22L:

- RWY 22L is CLOSED to take-off of ICAO CODE C aircraft;
- RWY 04R/22L is CLOSED to aircraft MON-SAT 0530-1800 (0430-1700).

7. PHASE E

Commence and actual finish of the phase will be notified by NOTAM.

Involved areas: RWY 04R/22L.

7.1 TRAFFIC INFORMATION AND RESTRICTIONS

Restrictions on RWY 04R/22L:

- RWY 22L is CLOSED to take-off of ICAO CODE C aircraft;
- RWY 04R/22L is CLOSED to aircraft MON-SAT 0530-1800 (0430-1700).

8. REPLACED SUP

This SUP replaces the AIP SUP 002/2023.



Figure 1. Demolition works phase A

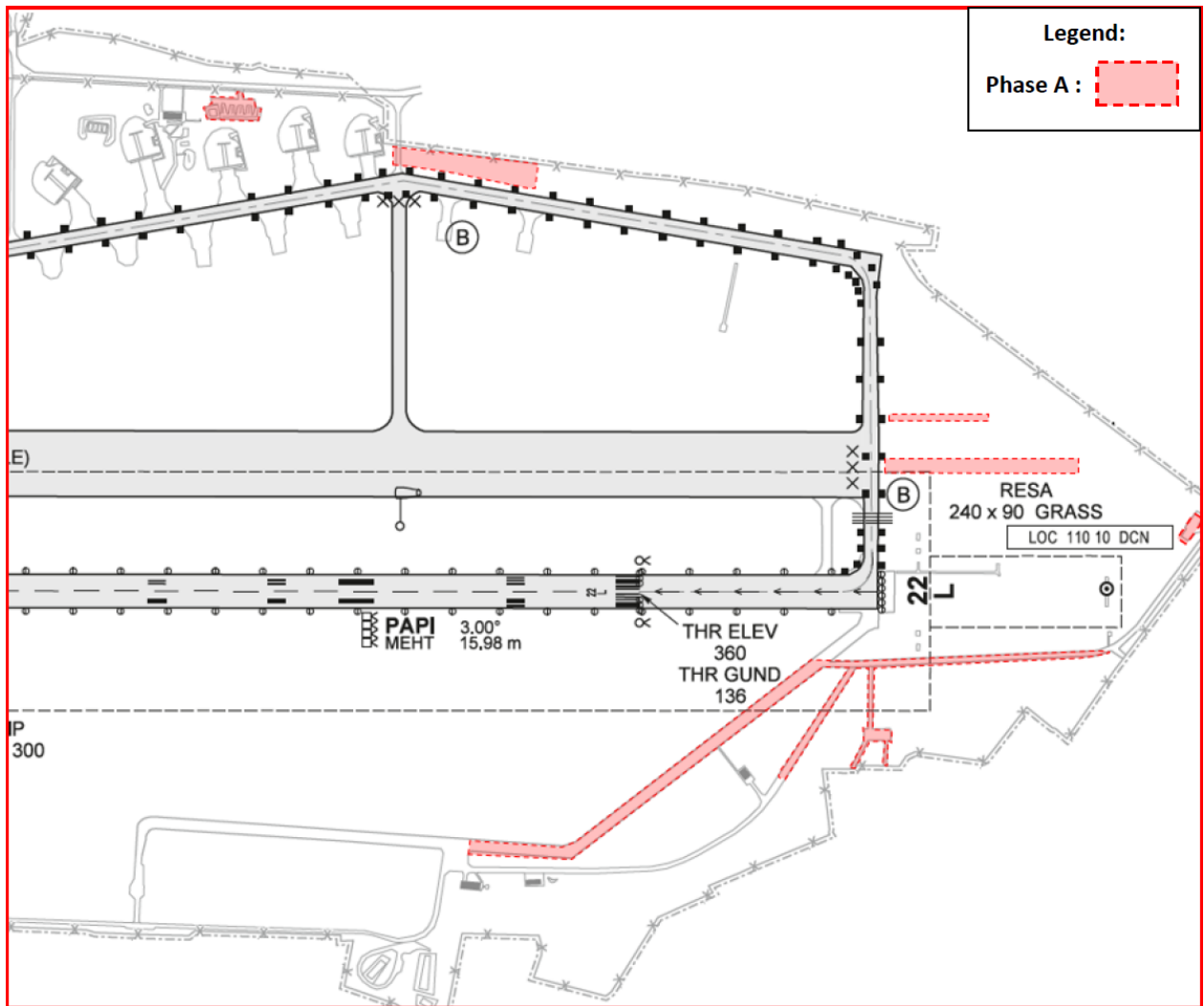


Figure 2. Demolition works phase B

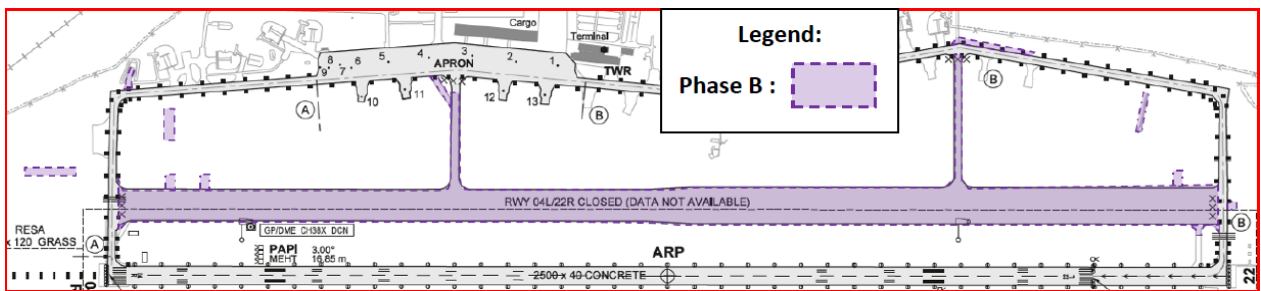


Figure 3. Demolition works phase C

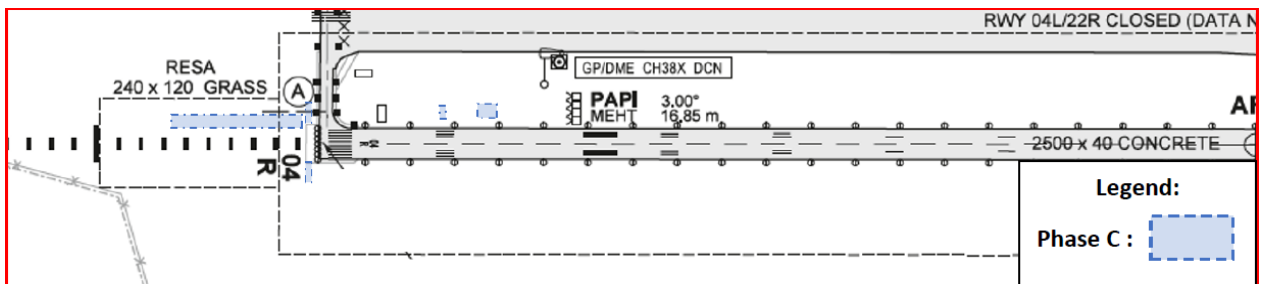


Figure 4. Demolition works phase D

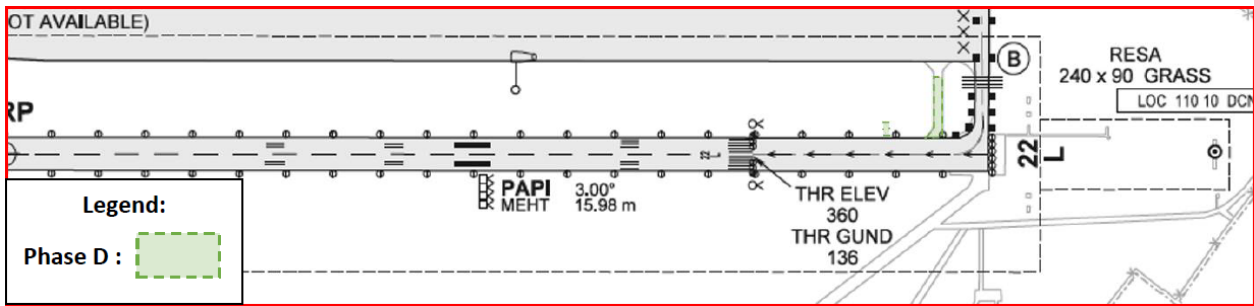


Figure 5. Demolition works phase E

