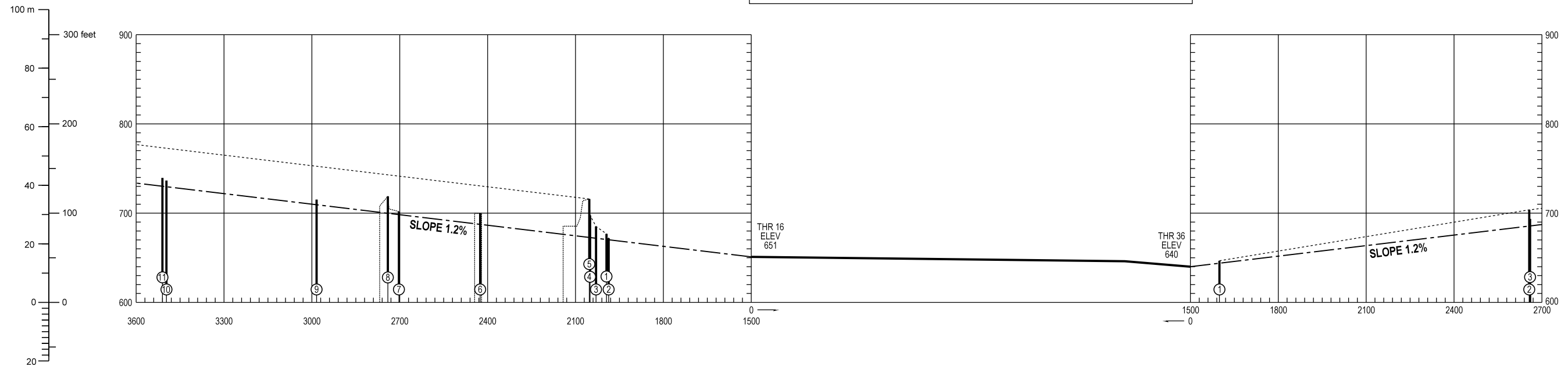


AERODROME OBSTACLE CHART - ICAO
TYPE A (OPERATING LIMITATIONS)

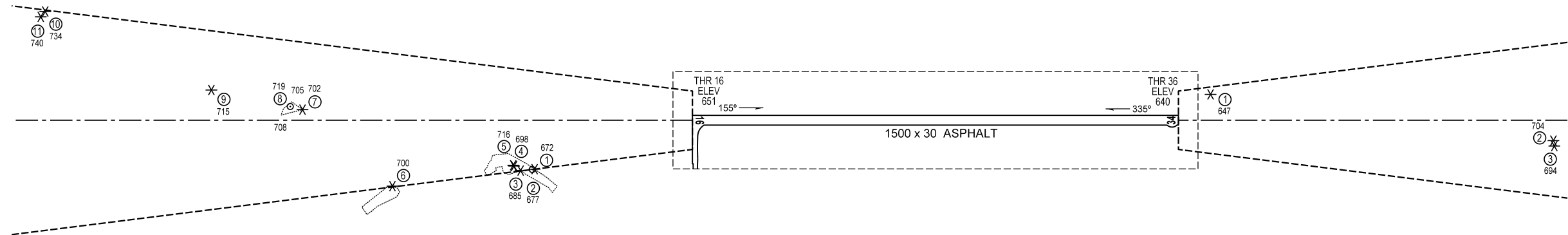
PÉCS/POGÁNY
RWY 16/34

MAGNETIC VARIATION 3° E (2009)

TAKE-OFF RUN AVAILABLE		
RWY 16		RWY 34
1500	TAKE-OFF RUN AVAILABLE	1500
1500	TAKE-OFF DISTANCE AVAILABLE	1500
1500	ACCELERATE STOP DISTANCE AVAILABLE	1500
1500	LANDING DISTANCE AVAILABLE	1500

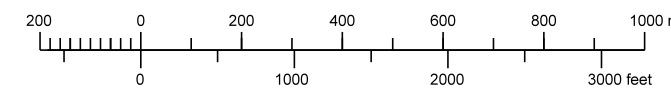


VERTICAL SCALE
1 : 1 500



ELEVATIONS ARE IN FEET
DIMENSIONS ARE IN METRES
BEARINGS ARE MAGNETIC

HORIZONTAL SCALE 1 : 15 000



LEGEND

IDENTIFICATION NUMBER	①
POLE, TOWER, SPIRE, ANTENNA, ETC.	○
TREE OR SHRUB	*
GROUP OF TREE	□

ORDER OF ACCURACY

HORIZONTAL: 0.1-1 m
VERTICAL: 0.1-1 m
(DATE OF SURVEY: APR 2020 - NOV 2021)

AMENDMENT RECORD

No.	DATE	ENTERED BY

CHANGE: Scale, obstacles updated

THIS PAGE IS INTENTIONALLY LEFT BLANK